



- **Stainless steel shootbolt espagnolette locking system**
- **Smooth locking mechanism**
- **High security combination of mushroom headed steel cams and steel shootbolts**
- **Reverse action gearbox throws mushroom cams and shootbolts in opposing directions**
- **Only 4 sizes of shootbolt extension to reduce stocking requirements**
- **Cover plates pivot into position to conceal shootbolt couplings**
- **Adjustable mushroom cams**
- **Adjustable throw (12 or 14mm) on shootbolt extensions, preset at 12mm**
- **Unique 8000 Series, combined mushroom/shootbolt strikers interlink in the corners to provide enhanced security and stability under load.**
- **20 or 22mm backset, 8mm or 9mm mushroom cams, 7mm spindle size, 16mm flat, stainless steel faceplate**

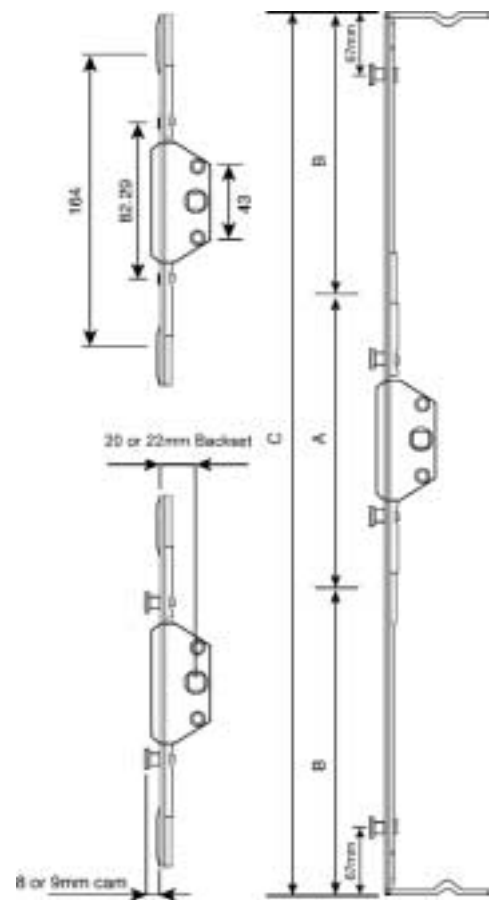
8 S E R I E S S H O O T B O L T



The 8 Series Shootbolt espagnolette locking system is manufactured from ferretic stainless steel and provides exceptional levels of security through an extremely effective combination of mushroom headed steel cams and steel shootbolts. The shootbolts and mushroom cams are operated via a smooth reverse action gearbox which throws the locking points in opposing directions, this includes two mushroom cams on the gearbox itself which provide additional sealing and security in the centre of the window. These mushroom cams are adjustable for compression by +/- 1mm.

Each extension features a mushroom cam within 100mm of the shootbolt corner, this is intended to provide additional support in the corner of the window and can prove vital when a window comes under attack from an intruder attempting to gain entry through jemmying the sash. To conceal the shootbolt/gearbox coupling pivoting plates are fitted to the gearbox, these plates are chamfered and can serve as an integral run-up when the sash is secured into its frame.

Dimensions



A = 164mm (fixed size)

Size	Cams
B = 118mm	0
= 318mm	1
= 518mm	1
= 718mm	1

Ext. Size	Cams	Min. Size	Max. Size.
C = 118mm	0	330mm	400mm
= 318mm	1	400mm	800mm
= 518mm	1	800mm	1200mm
= 718mm	1	1200mm	1600mm

Technical Information

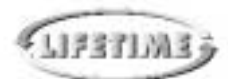
Backset	20mm & 22mm
Cam Height	8mm & 9mm
Travel	16mm
Faceplate	16mm
Size	Min. 330mm & Max. 1600mm
Material Spec.	
- Gearbox :	
Die-cast component	Zinc alloy casting ZP0400
Cams	Stainless Steel 303 grade
- Rod Ends :	
Face & Drive bars	Ferritic Stainless Steel X6Cr17
Cams	Stainless Steel 303 grade
- Retainers :	
	Brass CZ 121-PB3
Box Qty.	Gearbox 20, Extensions 20

Part Numbers

Description	Mila Comp. No.
Mini-Eurogroove	
Gearbox, 20mm b/set, no cam,	037413
Gearbox, 20mm b/set, 8mm cam	037414
Gearbox, 20mm b/set, 9mm cam	037415
Full-Eurogroove	
Gearbox, 20mm b/set, no cam	037423
Gearbox, 20mm b/set, 8mm cam	037424
Gearbox, 20mm b/set, 9mm cam	037425
Mini-Eurogroove	
Gearbox, 22mm b/set, no cam	037513
Gearbox, 22mm b/set, 8mm cam	037514
Gearbox, 22mm b/set, 9mm cam	037515
Full-Eurogroove	
Gearbox, 22mm b/set, no cam	037516
Gearbox, 22mm b/set, 8mm cam	037517
Gearbox, 22mm b/set, 9mm cam	037520
Extensions	
118mm extension no cam	037642
318mm extension 8mm cam	037644
518mm extension 8mm cam	037646
718mm extension 8mm cam	037648
318mm extension 9mm cam	037634
518mm extension 9mm cam	037636
718mm extension 9mm cam	037638

Guarantees

MECHANICAL GUARANTEE
(S/Steel)



LABOUR GUARANTEE



MADE IN THE UK



1 Brunel Close, Drayton Fields Industrial Estate, Daventry, Northamptonshire, NN11 5RB

Telephone: (01327) 872511 Sales: (01327) 312400 Fax: (01327) 872575

E-Mail: sales@mila.co.uk

Web Site: www.mila.co.uk