

H I N G E P R O T E C T O R

MILA H A R D W A R E

F E A R L E S S



F E A R L E S S
H I N G E B O L T



FEARLESS HINGE BOLT

In terms of hardware door hinges have always been seen as a weak point for anyone trying to gain unauthorised access to a property. The hinge side has often been the area of a door subjected to attack, involving a burglar attempting to gain entry by jemmying the door sash and hinges.

With door security now at the forefront of the industry's mind, following the introduction of the PAS 023 / 024 security test for doors, MILA have resolved this problem area with the introduction of the Fearless Hinge Bolt.

The Fearless Hinge Bolt is a high security and compression device suitable for all major PVC-u door systems.

The product comprises 2 parts:

The sash part is a 35mm long yellow passivated zinc bolt which slots neatly into the Eurogroove and is secured by six screw fixings.

The bolt penetrates the frame part and thus protects against forced entry by preventing jemmying of the door sash and hinges.

The Fearless Hinge Bolt currently suits all of the following systems:

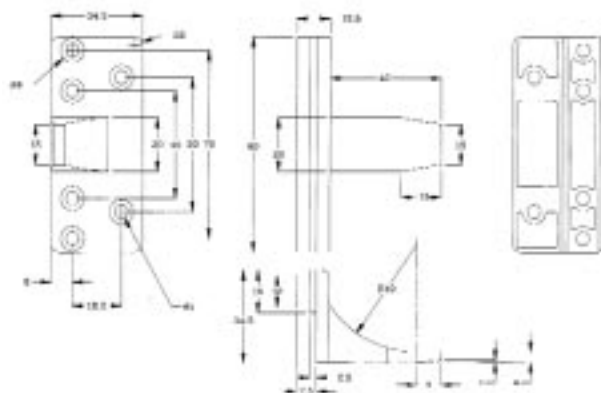
Deepplas 1800	Plastmo 2000	Selecta 4000
Duraflex	Plus Plan	Spectus Sightline
Eurocell	Premier 5	Synseal
Gromatic	Premier Sekura	*Status
Halo Europa	Regency 58	Veka Matrix 58
HW Vinylock	Regency 70	Veka Matrix 70
Kommerling Gold	Rehau 702	W.H.S. Classique
Marshall Tufflex	Rehau 706	

*Packers for frame part required

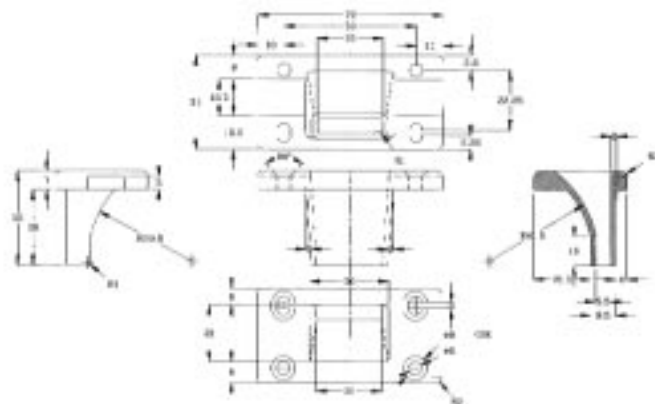
FEARLESS

HINGE BOLT

Sash Part



Frame Part



Made in the UK



Mechanical Guarantee



Labour Guarantee



Description	Mila Comp. No.
Eurogroove Sash Bolt	023891
Frame Part	023899

MILA Hardware Ltd.

1 Brunel Close, Drayton Fields Industrial Estate, Daventry, Northamptonshire, NN11 5RB
 Telephone: (01327) 872511 Sales: (01327) 312400 Fax: (01327) 872575

E-Mail: sales@mila.co.uk Web Site: www.mila.co.uk